

# Hera / 140

Tilt-in-space bathing & toileting chair

## Primary application

Home care  
Nursing homes  
Hospital

When designing Hera we set out to achieve a tilt-in-space bathing and toileting chair, characterised by modern clean lines, concealed cables, and excellent functionality.

Hera's recline feature allows many carer functions to be more easily and comfortably carried out, e.g. in a bathing or toilet hygiene situation, or when transferring the user from a mobile or ceiling lift into the chair.

Tilting Hera backwards or forwards, with or without weight in the chair, is simply performed by depressing the cable located below the rear push bar. Flip-up armrests facilitate easier sideways transfer in and out of the chair.

A unique feature of Hera is its height adjustment mechanism, designed to accommodate users of different heights, and also to allow for placement over different size of toilets.

Hera is made of stainless materials to ensure long service life. The seat and armrests are made of soft polyurethane padding for increased user comfort. The seat is detachable, and is available with or without an open front aperture. The backrest is of soft synthetic mesh material with tension adjustable rear straps for optimal user comfort and positioning.

The foot supports are also height adjustable and foldable. High quality wheels with brakes are standard.

The toilet receptacle is integrated into the removable (clip on) seat. This gives extra space to place the chair over the toilet and also ensures easy cleaning.

## Accessories

Safety bar  
Side supports  
Neck support  
Various foot rests





Height adjustable



Tilting angle:  
30° backwards, 5° forwards



Bucket



Optional seat with closed or  
hygiene opening



Side supports



Hair wash tray

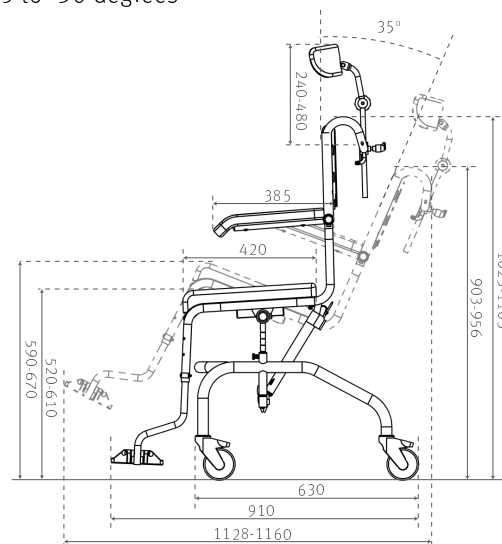
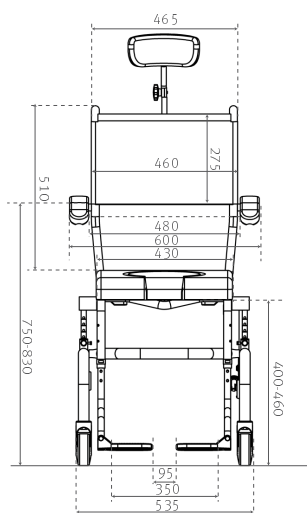
## PRODUCT HIGHLIGHTS

- Easy action tilting function, backwards or forwards.
- Clean lines, concealed cables.
- Optional seat with closed or open front.
- Height adjustable frame.
- Maintenance free, low friction castors, smooth rolling for easy manoeuvrability.
- Stainless materials.
- Wide range of accessories.

Version	HMI-number	Item-number
Hera 140 Toileting Chair	25191	041-00255 (example)
Accessories		
Hair wash tray		047-00400
Seat with closed format		047-00250
Cover for seat with closed format		047-00260
Seat with open format		047-00255
Cover for seat with open format		047-00261
Neck support		047-00310
Foot rest standard		047-00600
Spec.support - leg support - right		047-00610
Spec.support - leg support - left		047-00611
Bucket		047-00900
Side supports		047-00511
Gel cushion	32289	047-00550

## TECHNICAL SPECIFICATION

User Weight, Max	140kg
Distance between arm rests	480 mm
Seat depth	420 mm
Seat height	520-610 mm
Total width	600 mm
Total height	1025-1105 mm
Weight	22 kg
Angle of tilt	+5 to -30 degrees



Consult the Technical manual for further specifications. All figures and measurements are for guidance only and may differ in actual situations. Ergolet reserves the right to changes without notice.

Product photos may include accessories. Consult your dealer.

Ergolet A/S  
Taarnborgvej 12C  
DK-4 220 Korsoer  
tel. +45 58 37 37 20  
e-mail: ergolet@ergolet.dk

